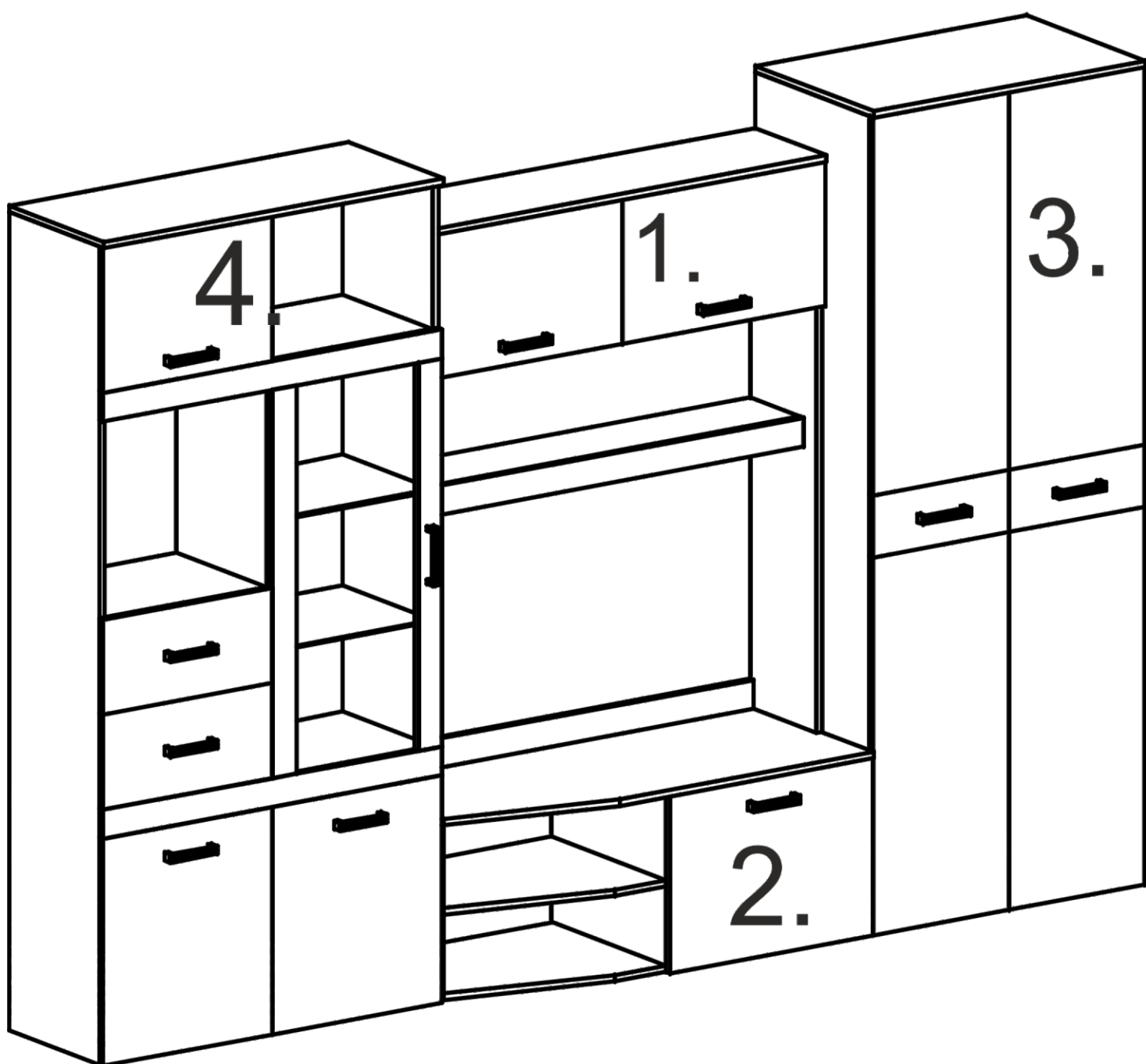
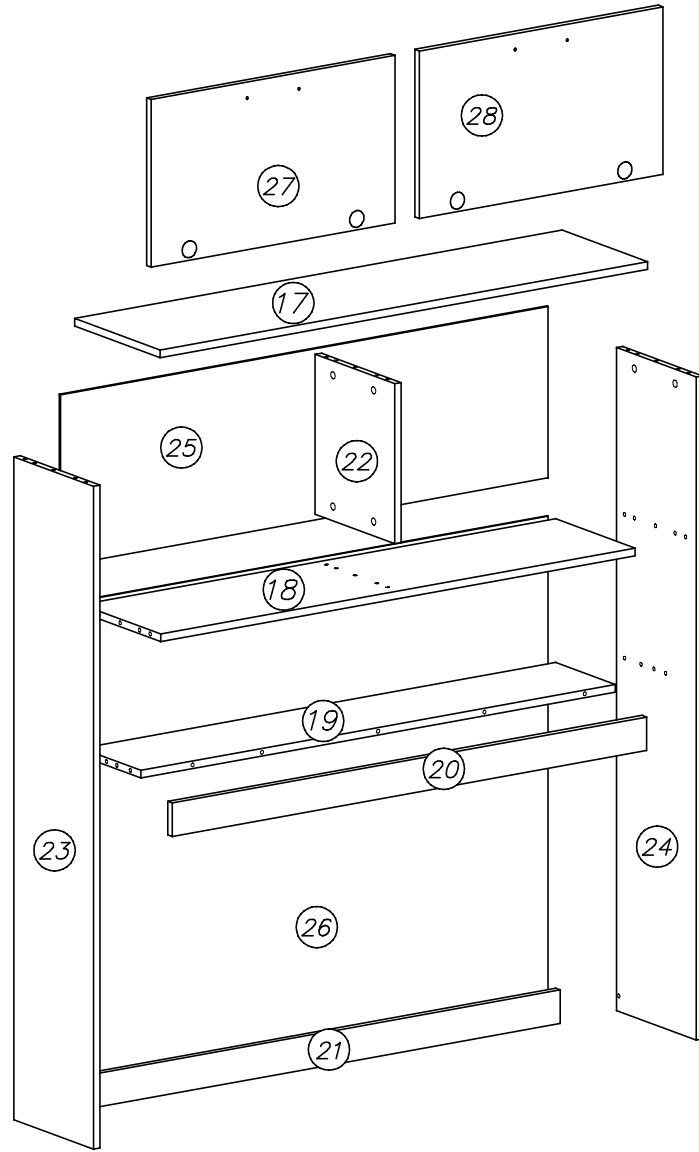
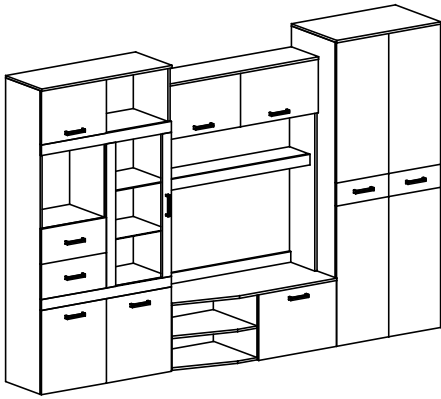
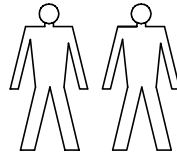
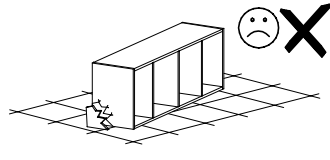
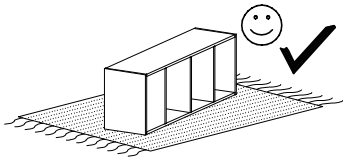
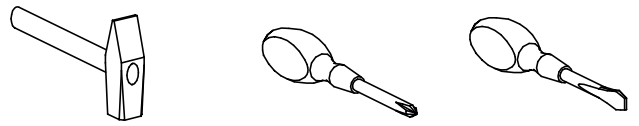


ASSOR



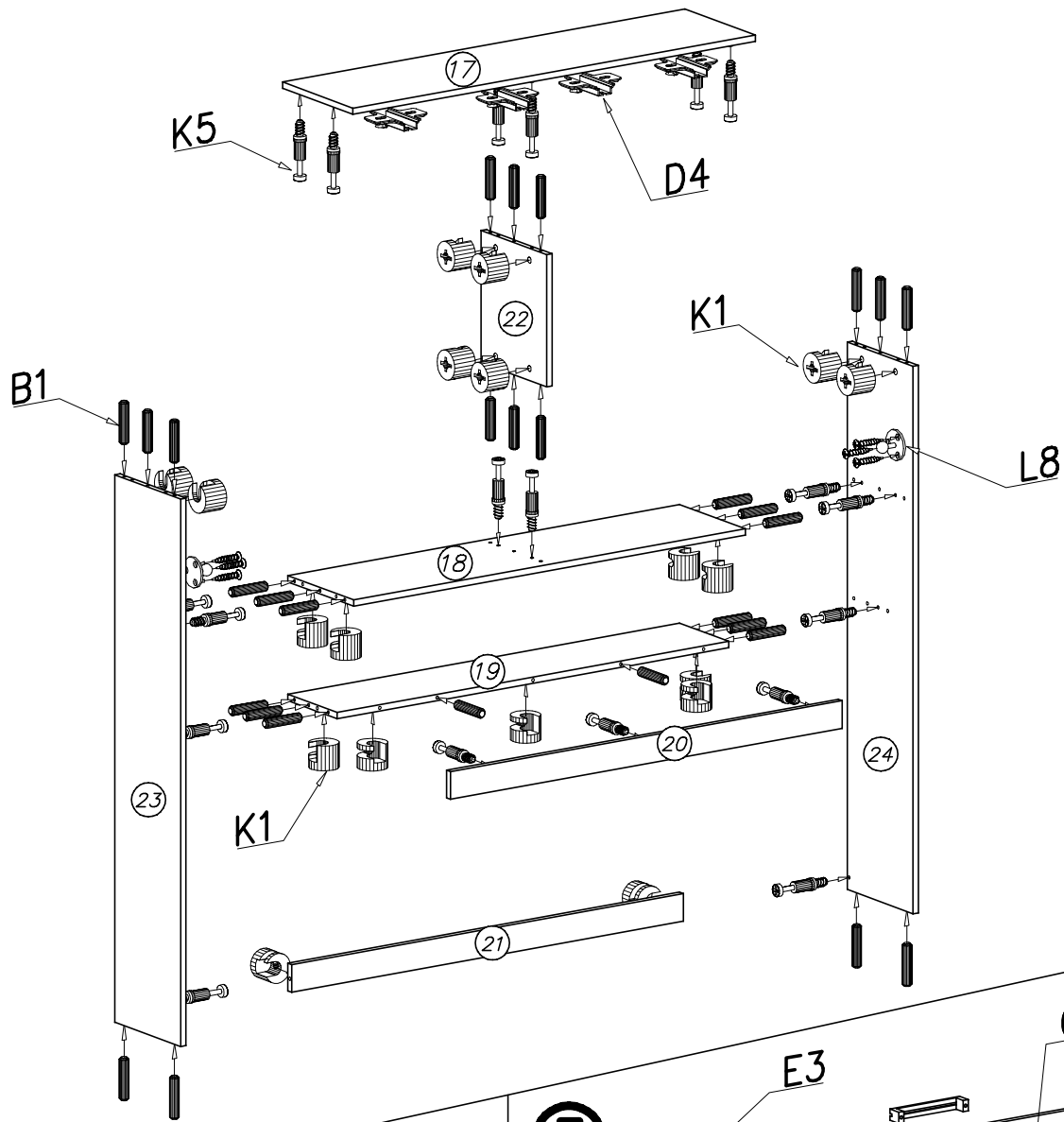
1.



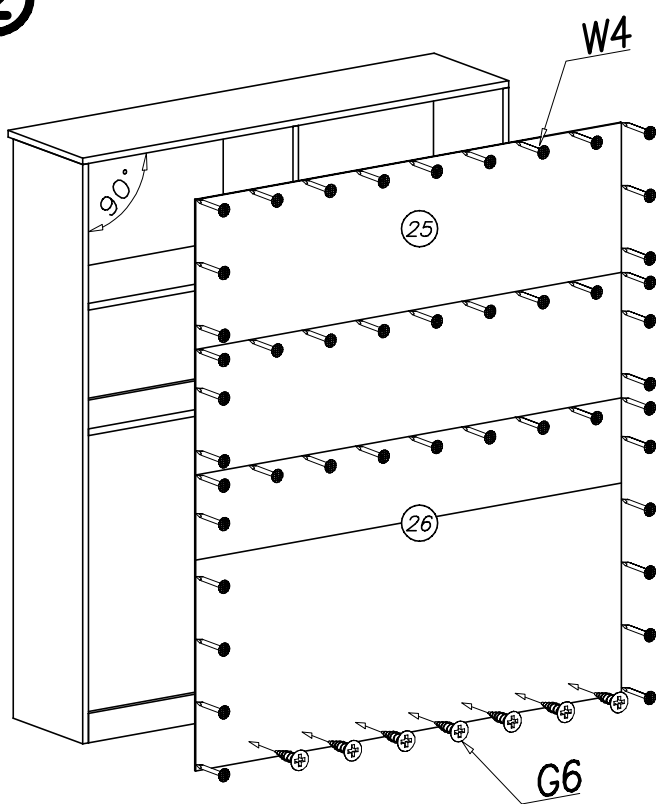
L8 x2	G6 3x13 x10
K1 ø15x12 x19	G34 3,5x16 x8
K5 x19	E3 x2

G8 4x30 x4	B1 ø8x35 x30
D4 PZ350D x4	C4 Z350D x4
W4 1,6x20 x80	

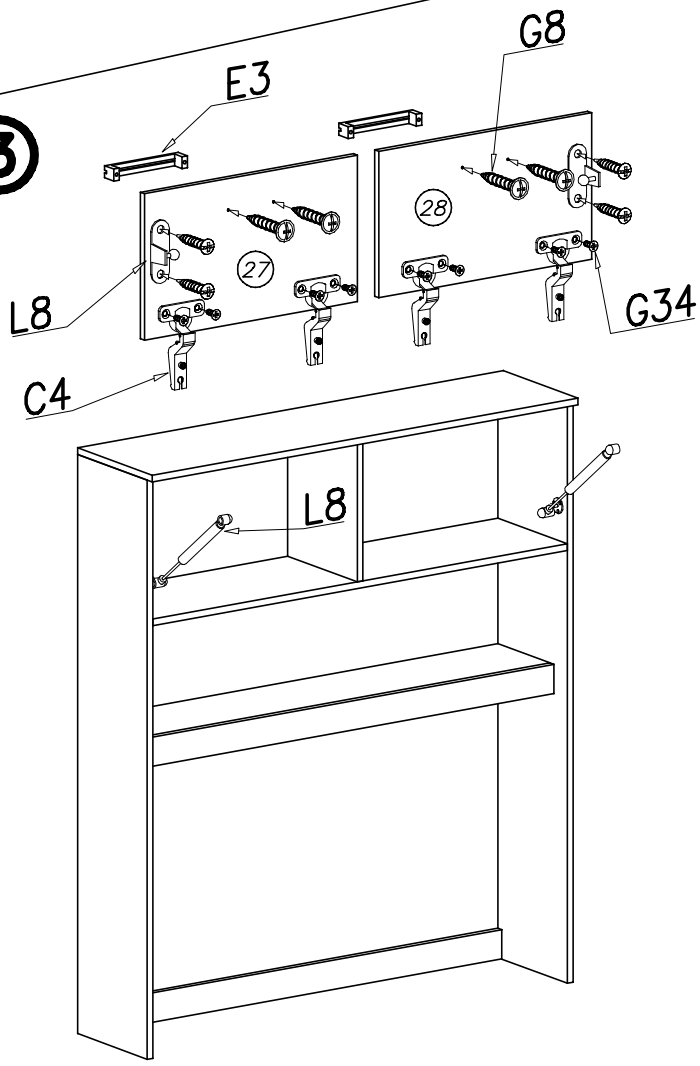
1



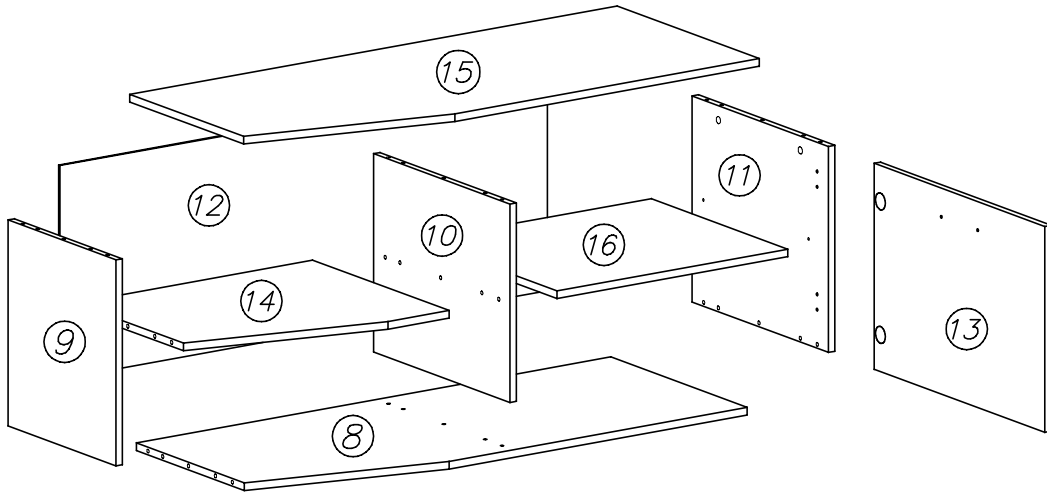
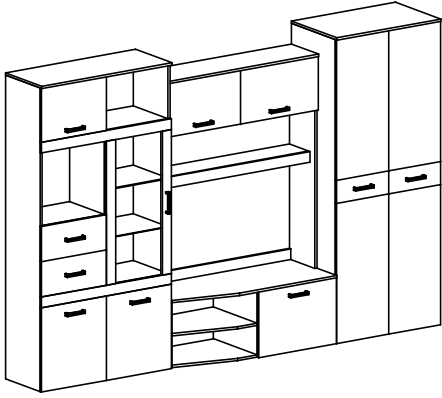
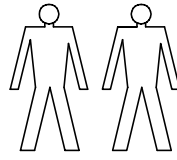
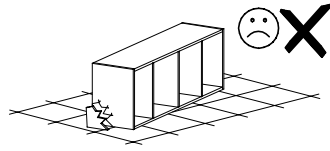
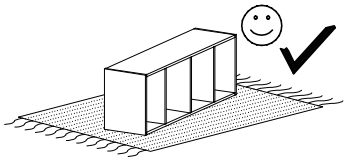
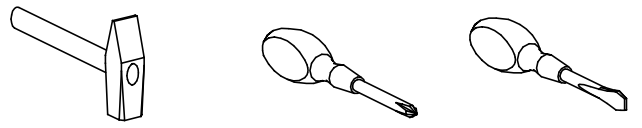
2

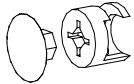
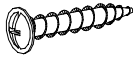
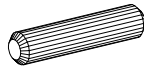

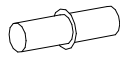
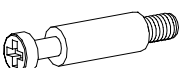
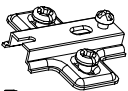
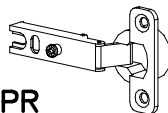




3

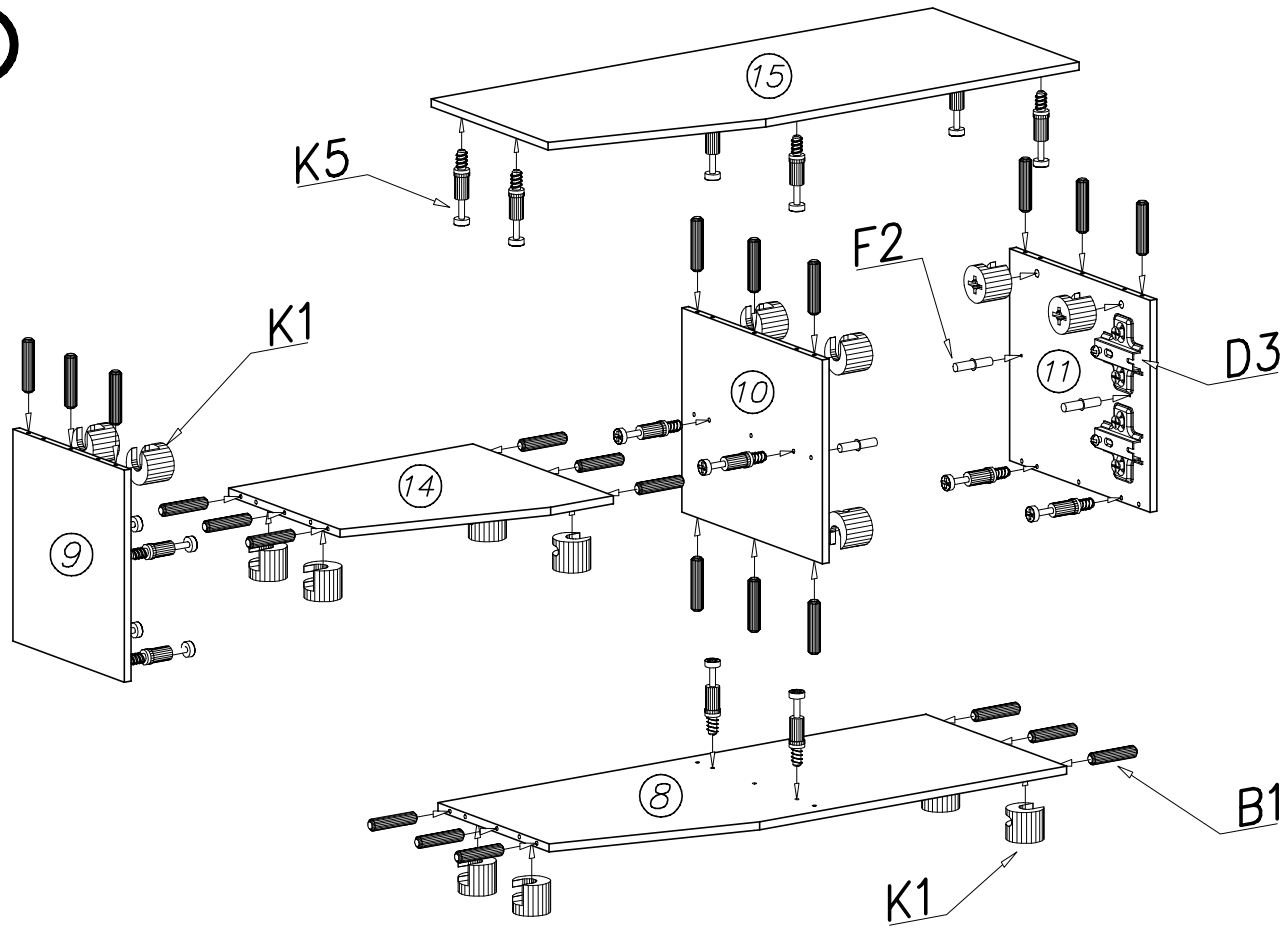


2.

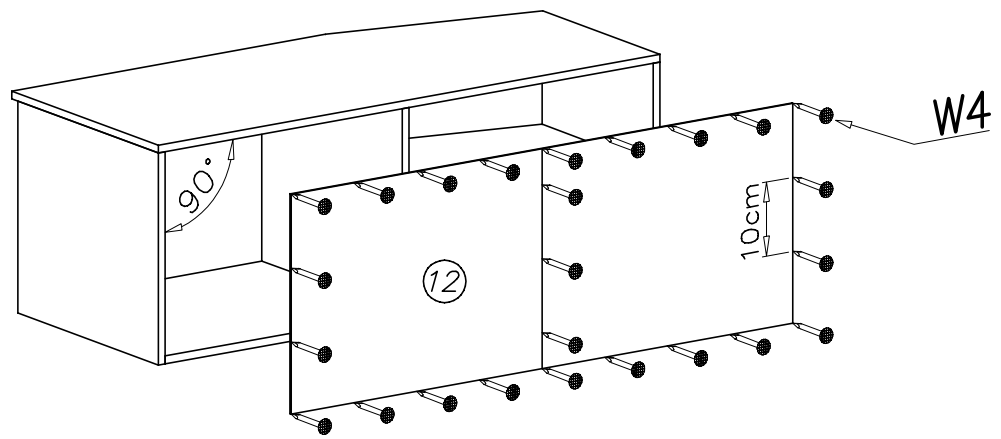


K1  ø15x12 x16	G8  4x30 x2	B1  ø8x35 x24	G34  3,5x16 x4	F2  1,6x20 x4
K5  ø15x12 x16	D3  PZ35PR x2	C3  Z35PR x2	W4  1,6x20 x40	E3  1,6x20 x1

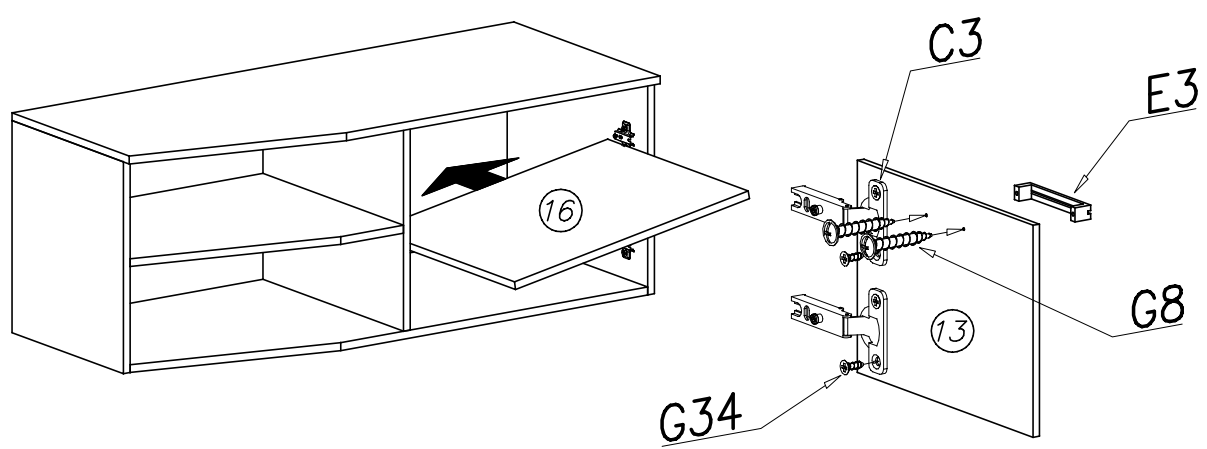
1



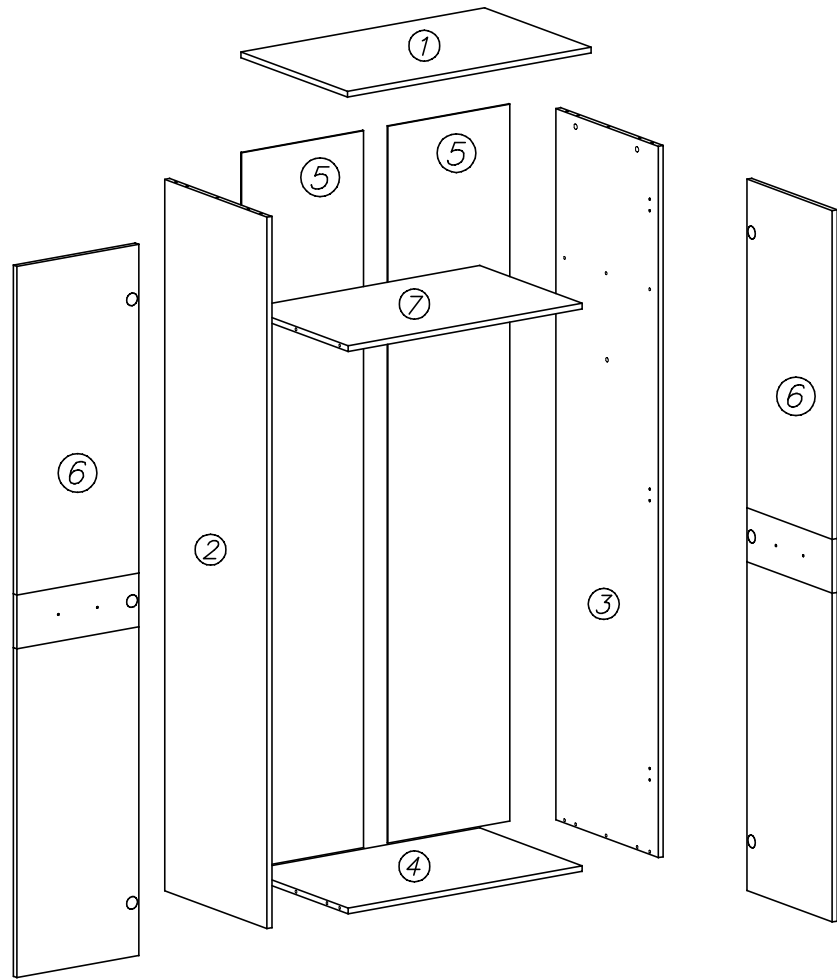
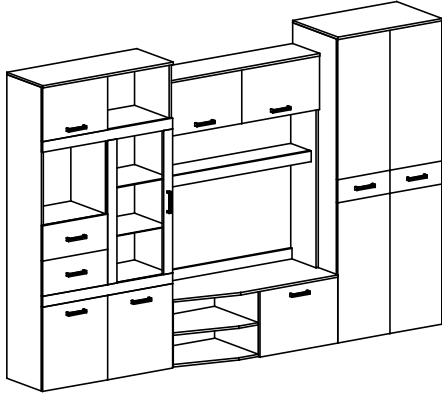
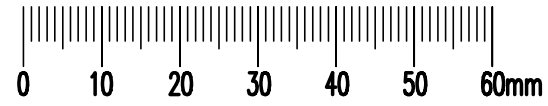
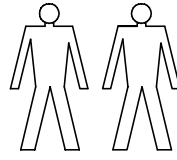
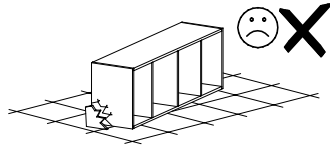
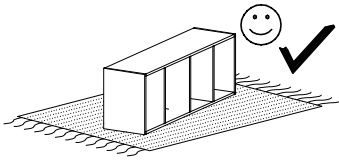
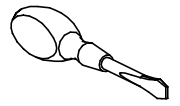
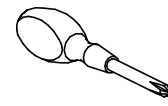
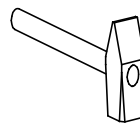
2

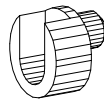
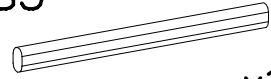
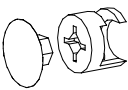

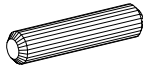
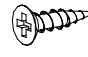

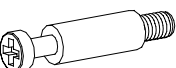
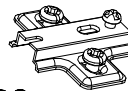
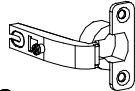




3

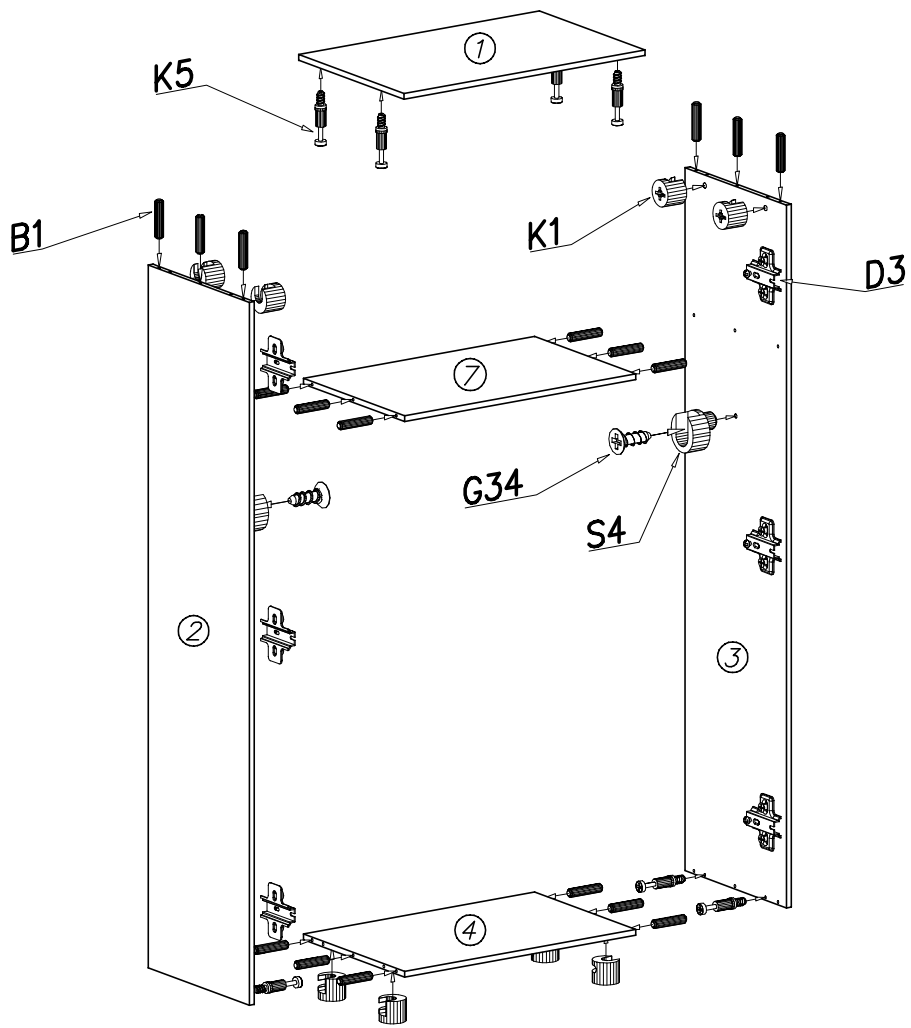


3.

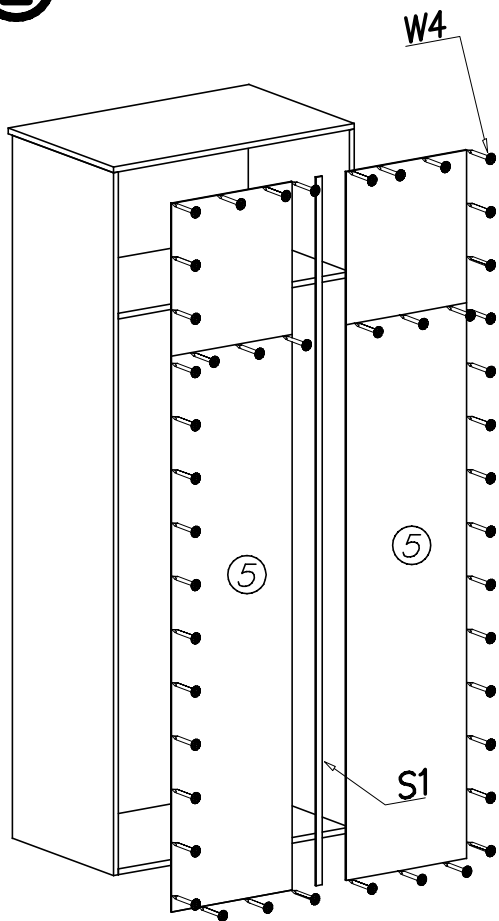


			S4  x2	S5  x1
K1  ø15x12 x8	G8  4x30 x4	B1  ø8x35 x18	G34  3,5x16 x14	S1  x1
K5  x8	D5  PZ35R0 x6	C5  Z35R0 x6	W4  1,6x20 x80	E3  x2

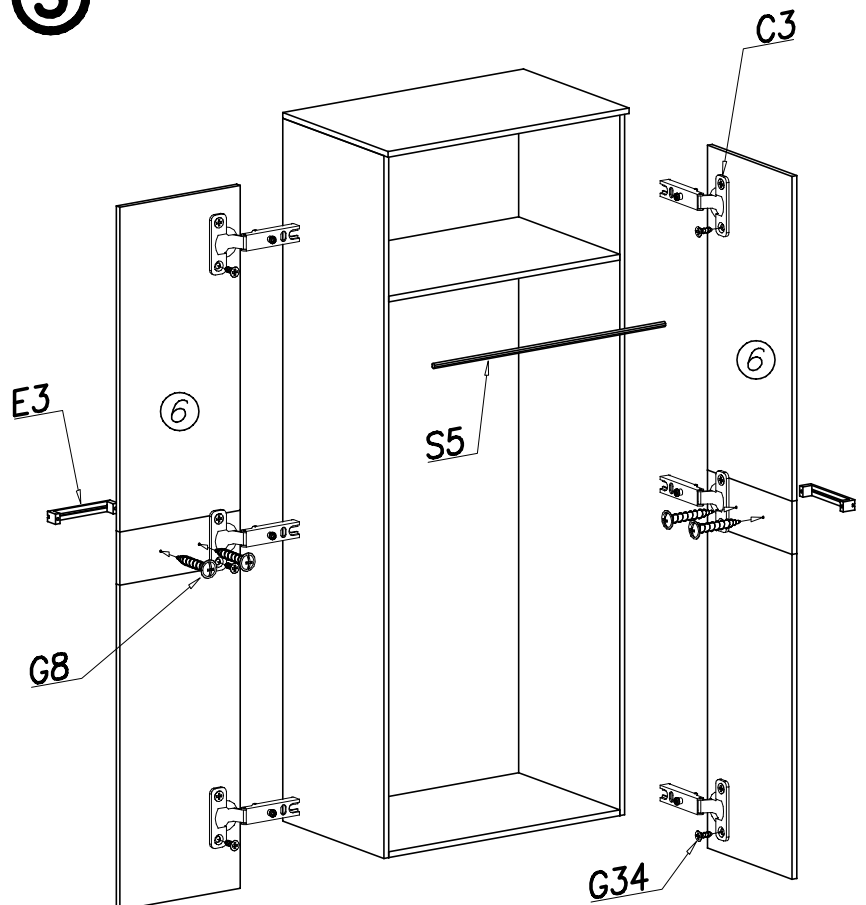
1



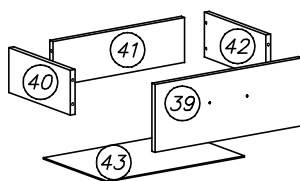
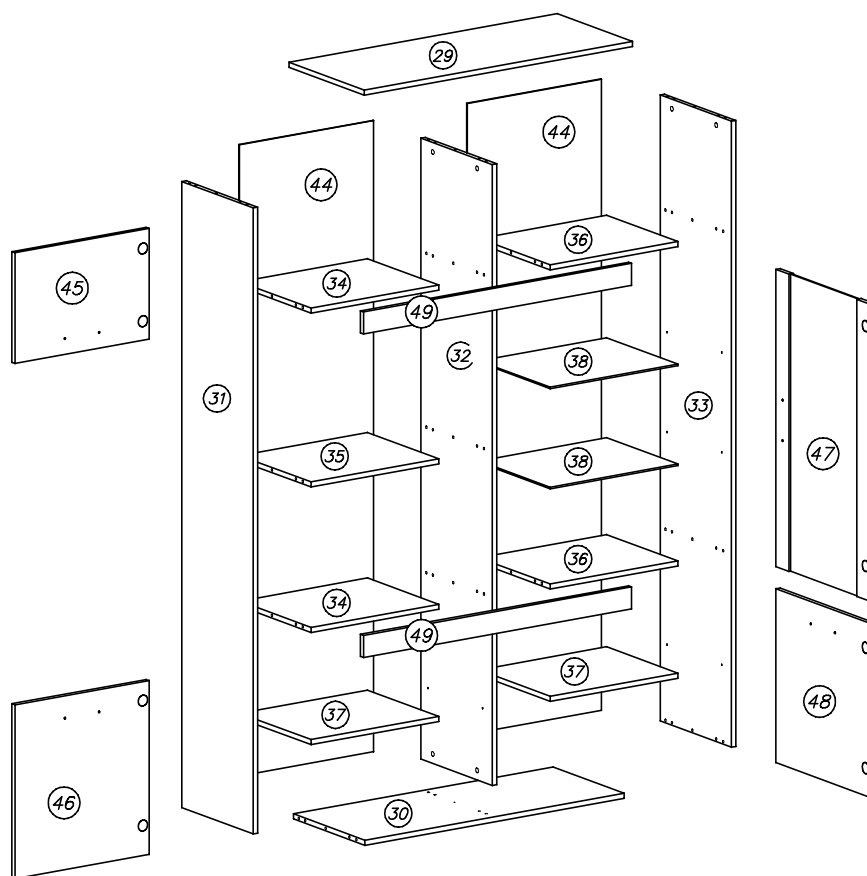
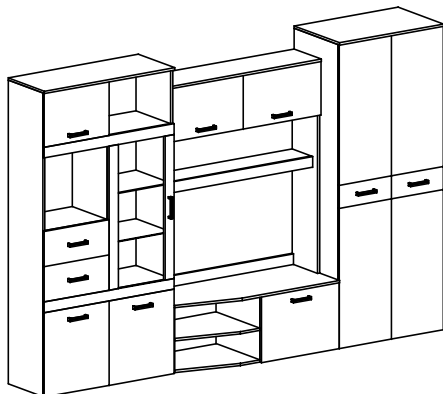
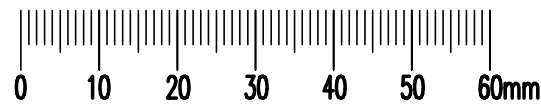
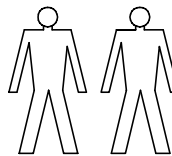
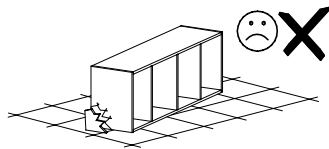
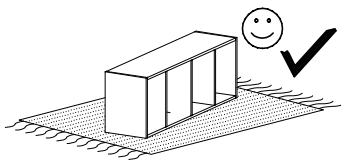
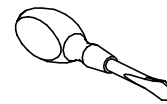
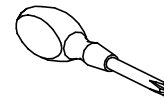
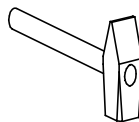
2



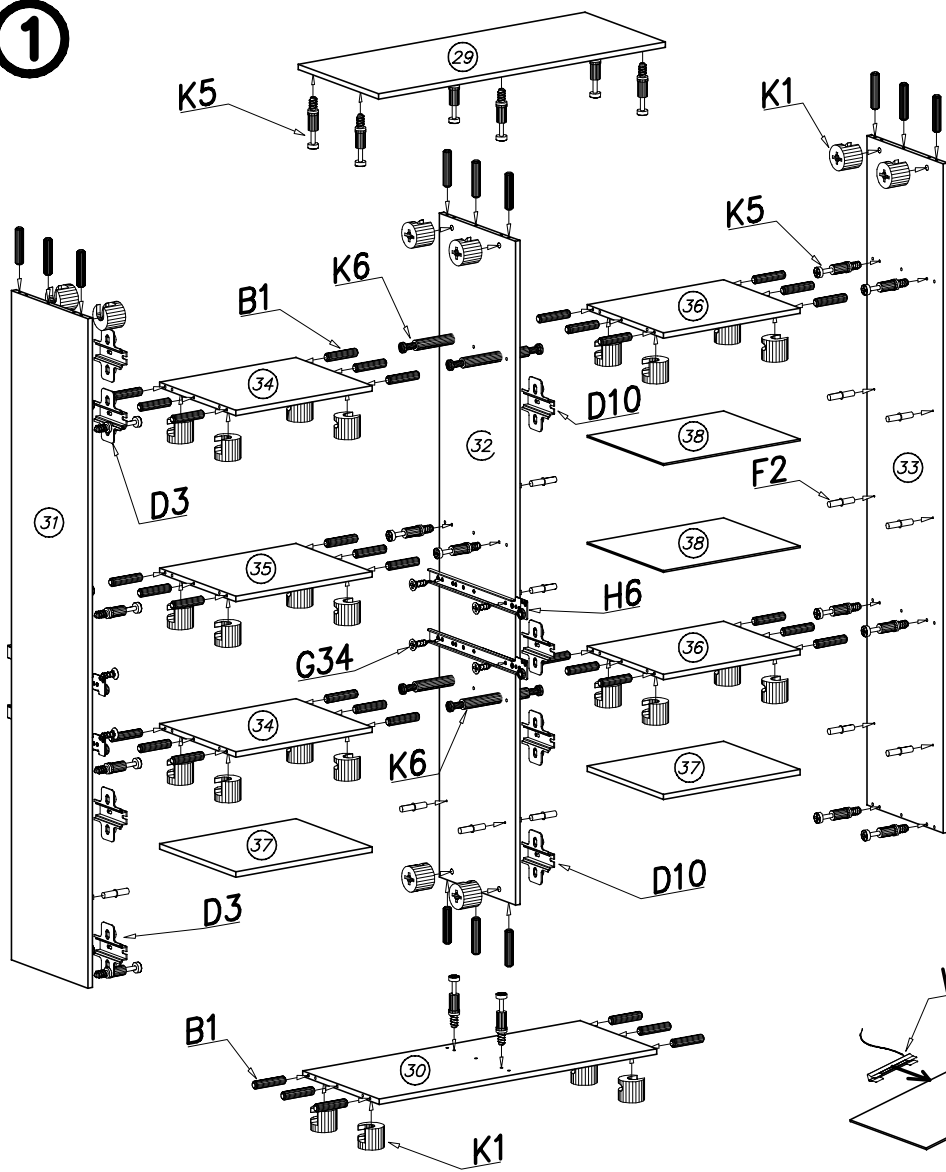
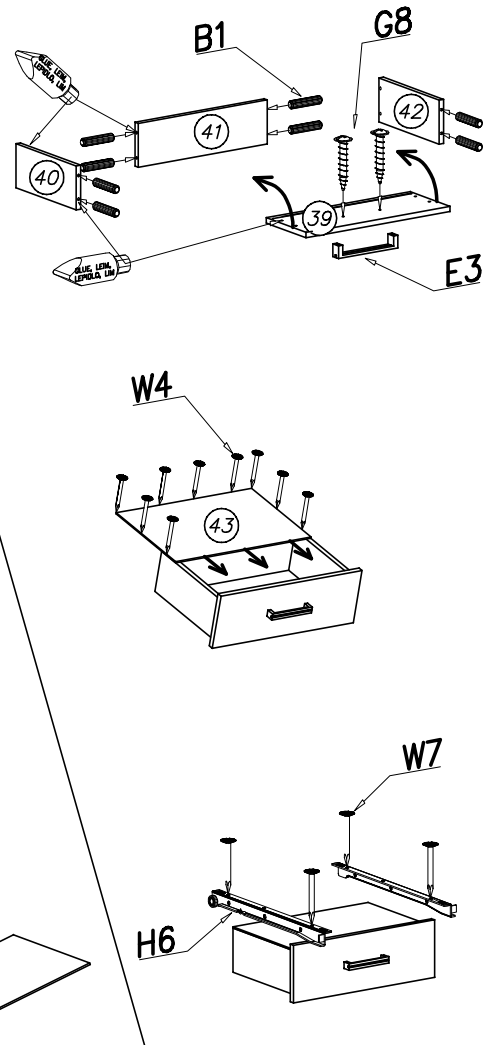
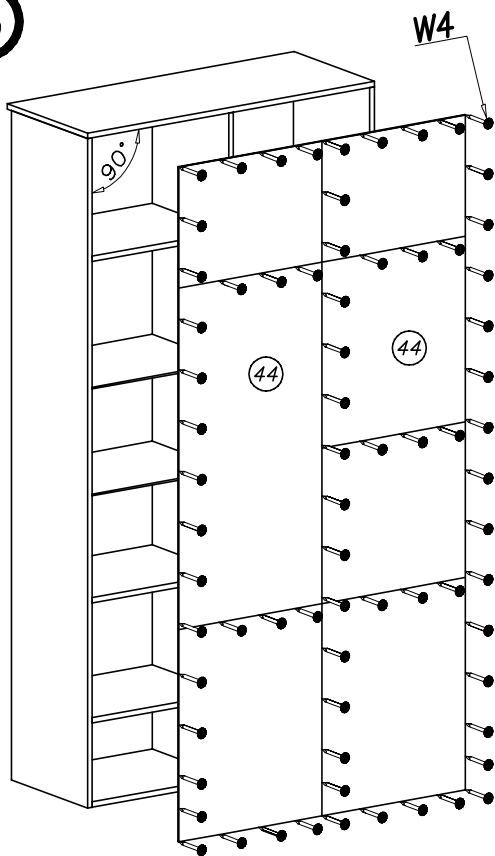
3



4.



D10 PZ35PL x4	C10 Z35PL x4	W7 2x20 x8	W1 GLUE. LEM. LEPIDLO. LIM x1	H6 300mm x2
W13 x...(1)	K1 ø15x12 x32	F2 x16	K6 x4	G34 3,5x16 x24
G8 4x30 x12	B1 ø8x35 x68	W5 LED x...(2)	W4 1,6x20 x100	E3 x6
K5 x32	D3 PZ35PR x4	C3 Z35PR x4		

1**2****3****4**